

USSN 09/540,178

Page 2

IN THE DRAWINGS:

Please replace FIG. 3 with amended FIG. 3, as enclosed herewith.

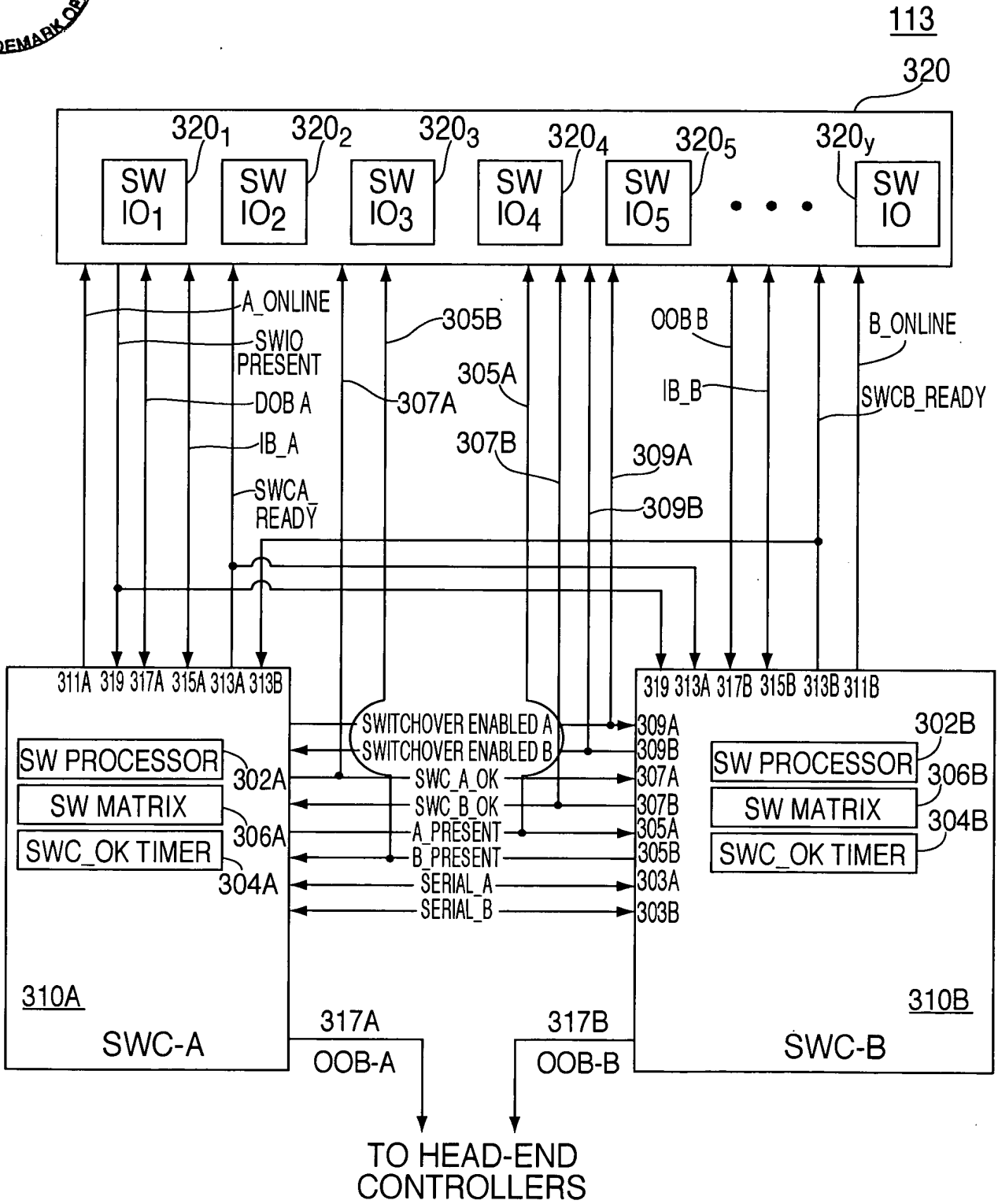


FIG. 3